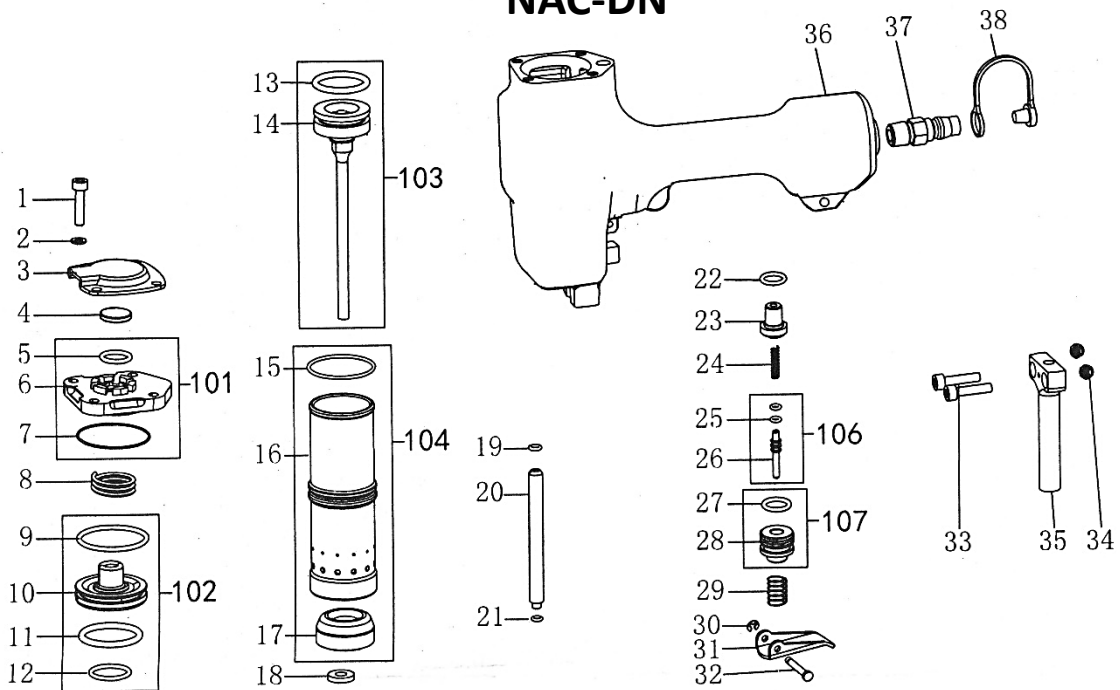


DELFAST[®]

NAILED IT

Delfast De Nailer NAC-DN



ITEM NO.	PART NO.	PART NAME	Q' TY	ITEM NO.	PART NO.	PART NAME	Q' TY
1	B01-01-050220-02	SCREW	4	25	B08-002500150	O-RING	2
2	B04-01-050-02	SPRING WASHER	4	26	AA13A-013A	THIMBLE	1
3	AA13B-001A	EXHAUST COVER	1	27	B08-010000200	O-RING	1
4	AA13B-003A	AIRPROOF CUSHION	1	28	AA13A-015A	VALVE CAP	1
5	B08-013800240	O-RING	1	29	AA06A-016A	SPRING	1
6	AA13B-004A	CYLINDER CAP	1	30	B03-01-0025-02	E-RING	1
7	B08-040000100	O-RING	1	31	AA06A-017A	TRIGGER	1
8	AA13B-002A	SPRING	1	32	B05-028150-04	PIN	1
9	B08-036170262	O-RING	1	33	B01-01-050250-0	SCREW	2
10	AA13B-005A	ACTIVE VALVE	1	34	B07-01-050-04	LOCKNUT	2
11	B08-029700350	O-RING	1	35	AA13C-004A	MUZZLE	1
12	B08-019600240	O-RING	1	36	AA13C-005A	BODY	1
13	B08-025700350	O-RING	1	37	AA06A-018A	AIR HOSE CONNECTOR	1
14	AA13C-Y02A1	DRIVER	1	38	AA17A-035A	DUST CAP	1
15	B08-035500180	O-RING					
16	AA13B-006A	CYLINDER	1				
17	AA13B-007A	BUMPER	1	101	AA13B-Y03A1	CYLINDER CAP SET	
18	AA13C-003A	GAG	1	102	AA13B-Y04A1	ACTIVE VALVE SET	
19	B08-003800190	O-RING	1	103	AA13C-Y01A1	DRIVER SET	
20	AA13B-009A	AIR CONDUIT	1	104	AA13B-Y02A1	CYLINDER SET	
21	B08-003500160	O-RING	1	106	AA13A-Y12A1	THIMBLE SET	
22	B08-008750180	O-RING	1	107	AA13A-Y11A1	VALVE CAP SET	
23	AA13A-012A	VALVE	1				
24	AA13A-014A	SPRING	1				